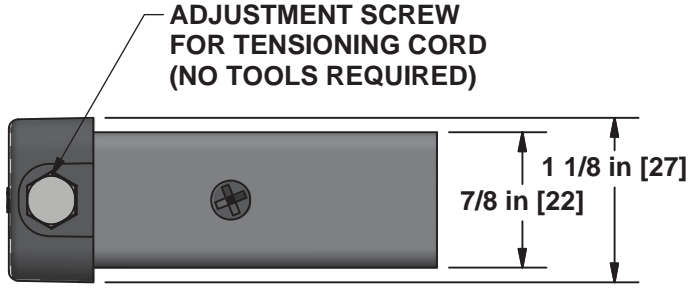


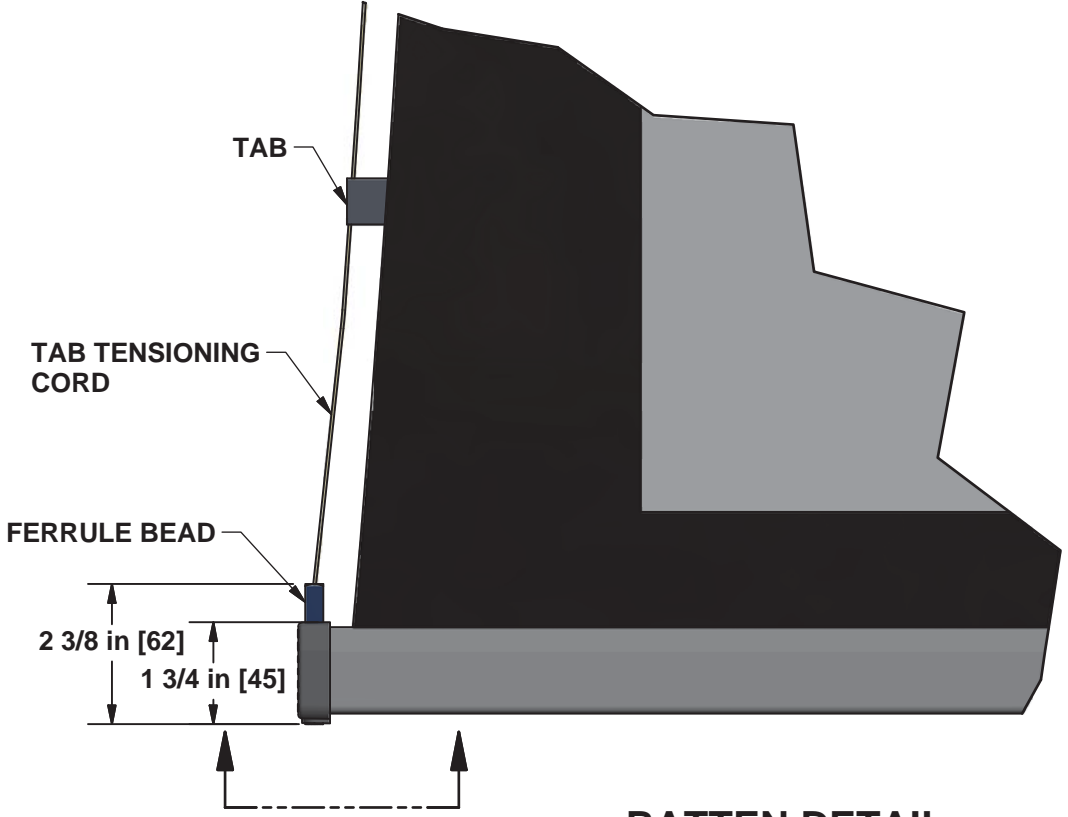
**NOTE: DARK COLORS HAVE BEEN LIGHTENED FOR CLARITY PURPOSES**

**RESTRICTION:** The information contained in the proposal is confidential and proprietary to Stewart Filmscreen Corporation, shall not be disclosed beyond the vendor company, and shall not be duplicated, used, or disclosed in whole or in part for any purpose except to evaluate this proposal.

DIMENSIONS ARE Inches [mm]		DRAWN BY:		<b>Stewart</b> FILMSCREEN 1161 W. Sepulveda Blvd., Torrance, CA 90502 Customer Care (800) 762-4999 Fax (310) 326-6870	
TOLERANCES: +/- 1/8 in (UNLESS OTHERWISE SPECIFIED)		Engineering			
APPROXIMATE SCREEN WEIGHT:		DRAWING TYPE:		TITLE <b>CIMA BELOW CEILING</b>	
80 LBS		Typical			
APPROXIMATE SHIPPING WEIGHT:		CREATION DATE:			
189 LBS		4/14/15		REV.	
MODEL #:		CIBC153SW-6-2-5		PART NO.	
CASE COLOR:		White		SIZE	SHEET
				A	1 OF 7
				00930	
				A	



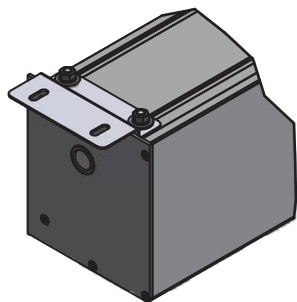
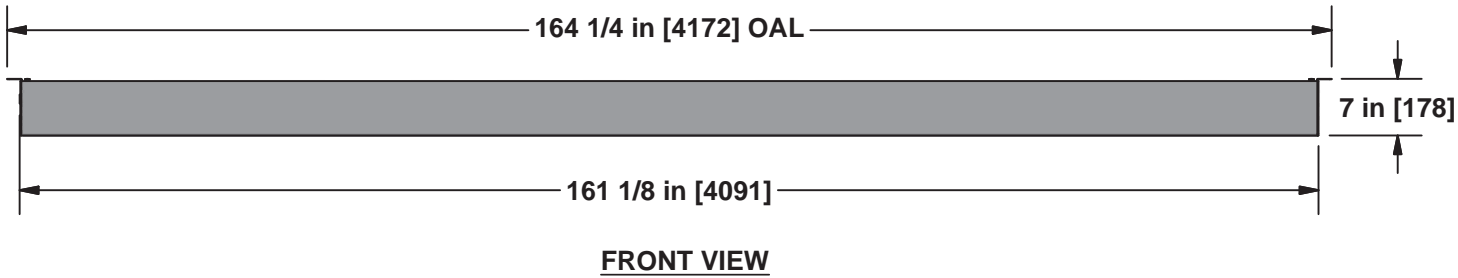
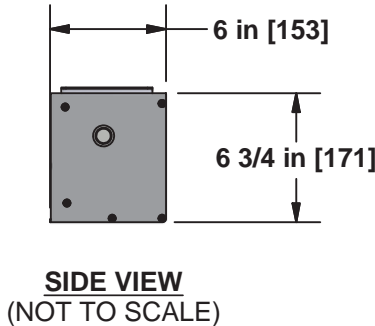
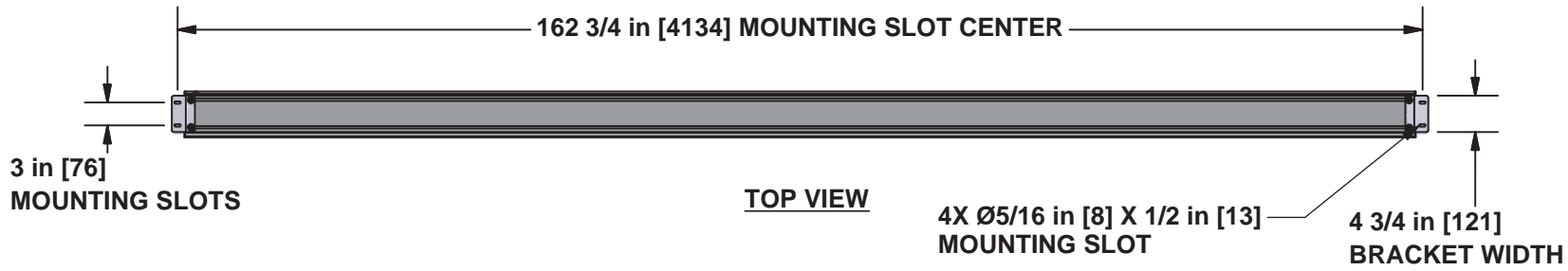
**BATTEN END CAP**  
REFLECTED CEILING VIEW



**BATTEN DETAIL**  
TAB TENSIONING VIEW

DIMENSIONS ARE Inches [mm]		DRAWN BY:		<b>Stewart</b> FILMSCREEN 1161 W. Sepulveda Blvd., Torrance, CA 90502 Customer Care (800) 762-4999 Fax (310) 326-6870	
TOLERANCES: +/- 1/8 in (UNLESS OTHERWISE SPECIFIED)		Engineering			
APPROXIMATE SCREEN WEIGHT:		DRAWING TYPE:		TITLE <b>CIMA BELOW CEILING</b>	
80 LBS		Typical			
APPROXIMATE SHIPPING WEIGHT:		CREATION DATE:			
189 LBS		4/14/15		REV.	
MODEL #:		CIBC153SW-6-2-5		SIZE	SHEET
CASE COLOR:		White		A	2 OF 7
				PART NO.	00930
					A

**RESTRICTION:** The information contained in the proposal is confidential and proprietary to Stewart Filmscreen Corporation, shall not be disclosed beyond the vendor company, and shall not be duplicated, used, or disclosed inwhole or in part for any purpose except to evaluate this proposal.

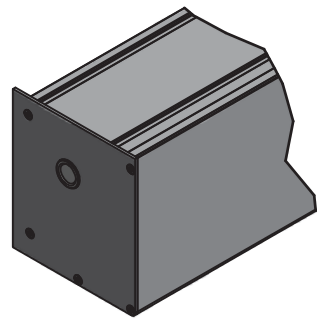
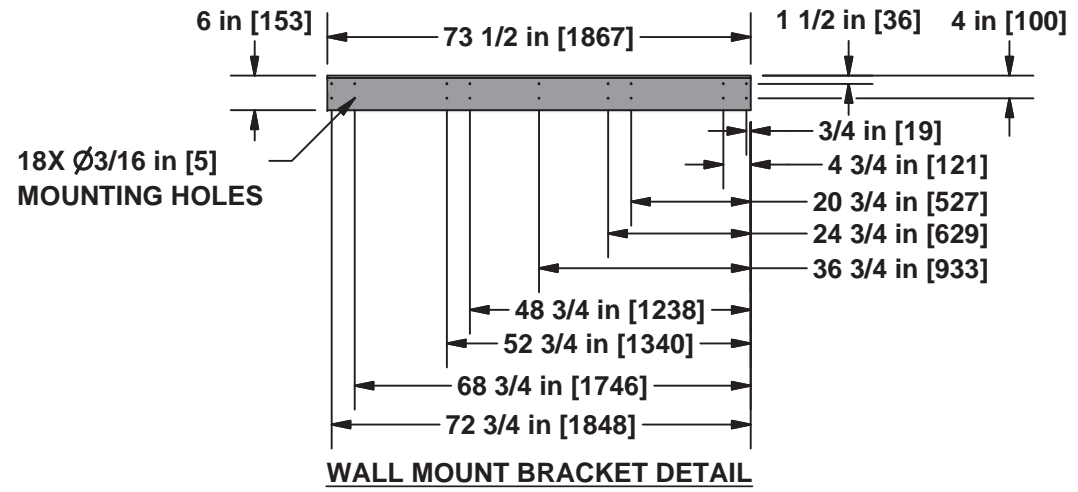
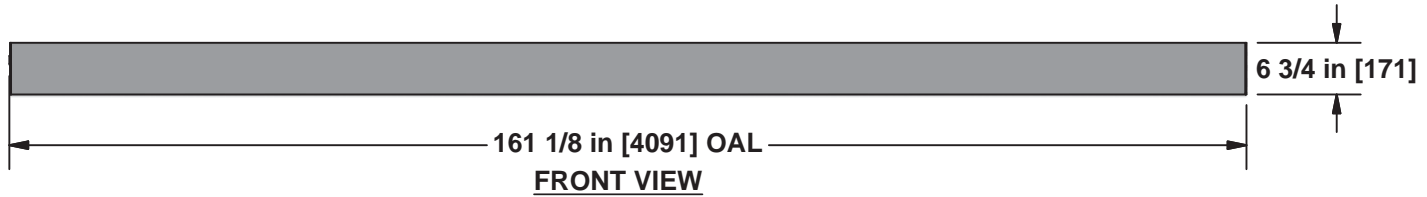
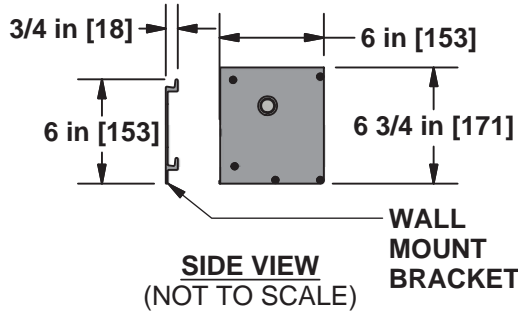
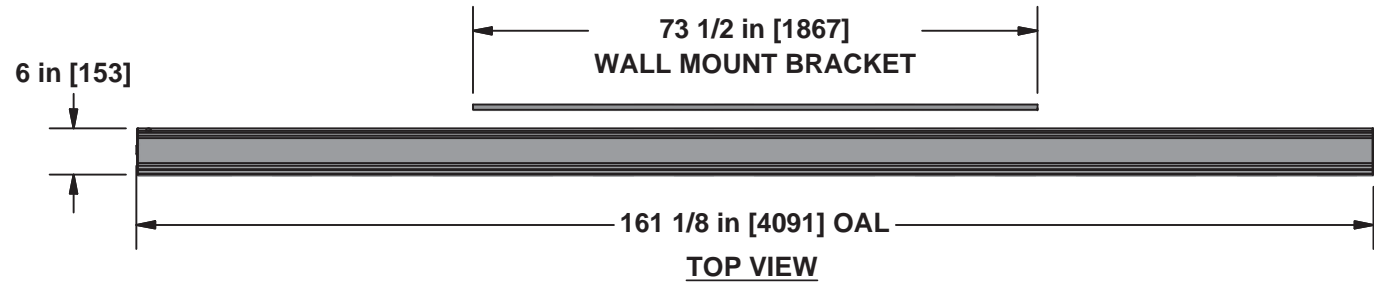


**ISOMETRIC VIEW**

**MOUNTING BRACKET  
CEILING MOUNT**

DIMENSIONS ARE Inches [mm]		DRAWN BY: Engineering		<b>Stewart</b> FILMSCREEN 1161 W. Sepulveda Blvd., Torrance, CA 90502 Customer Care (800) 762-4999 Fax (310) 326-6870	
TOLERANCES: +/- 1/8 in (UNLESS OTHERWISE SPECIFIED)		DRAWING TYPE: Typical			
APPROXIMATE SCREEN WEIGHT: 80 LBS		CREATION DATE: 4/14/15		TITLE CIMA BELOW CEILING	
APPROXIMATE SHIPPING WEIGHT: 189 LBS		MODEL #: CIBC153SW-6-2-5		SIZE A	SHEET 3 OF 7
CASE COLOR: White				PART NO. 00930	REV. A

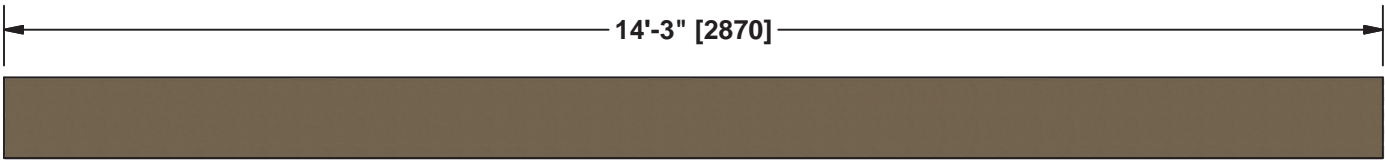
**RESTRICTION:** The information contained in the proposal is confidential and proprietary to Stewart Filmscreen Corporation, shall not be disclosed beyond the vendor company, and shall not be duplicated, used, or disclosed in whole or in part for any purpose except to evaluate this proposal.



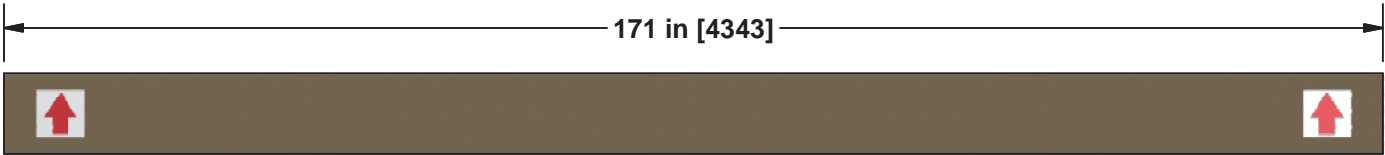
**MOUNTING BRACKET  
WALL MOUNT**

DIMENSIONS ARE Inches [mm]		DRAWN BY: Engineering		<b>Stewart</b> FILMSCREEN 1161 W. Sepulveda Blvd., Torrance, CA 90502 Customer Care (800) 762-4999 Fax (310) 326-6870	
TOLERANCES: +/- 1/8 in (UNLESS OTHERWISE SPECIFIED)		DRAWING TYPE: Typical			
APPROXIMATE SCREEN WEIGHT: 80 LBS		CREATION DATE: 4/14/15		TITLE CIMA BELOW CEILING	
APPROXIMATE SHIPPING WEIGHT: 189 LBS		MODEL #: CIBC153SW-6-2-5		SIZE A	SHEET 4 OF 7
CASE COLOR: White				PART NO. 00930	REV. A

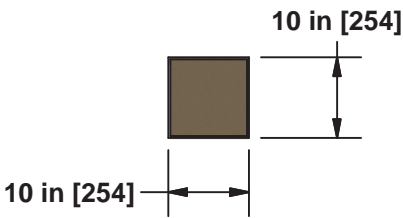
**RESTRICTION:** The information contained in the proposal is confidential and proprietary to Stewart Filmscreen Corporation, shall not be disclosed beyond the vendor company, and shall not be duplicated, used, or disclosed in whole or in part for any purpose except to evaluate this proposal.



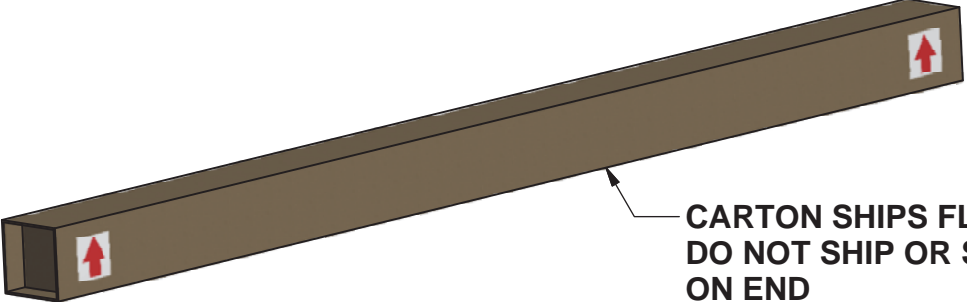
**TOP VIEW**



**FRONT VIEW**



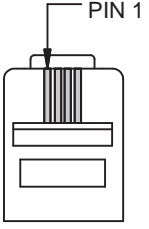
**SIDE VIEW**



**CARTON SHIPS FLAT  
DO NOT SHIP OR STORE  
ON END**

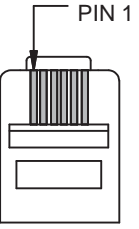
**RESTRICTION:** The information contained in the proposal is confidential and proprietary to Stewart Filmscreen Corporation, shall not be disclosed beyond the vendor company, and shall not be duplicated, used, or disclosed in whole or in part for any purpose except to evaluate this proposal.

DIMENSIONS ARE Inches [mm]		DRAWN BY: Engineering		<b>Stewart</b> FILMSCREEN 1161 W. Sepulveda Blvd., Torrance, CA 90502 Customer Care (800) 762-4999 Fax (310) 326-6870	
TOLERANCES: +/- 1/8 in (UNLESS OTHERWISE SPECIFIED)		DRAWING TYPE: Typical			
APPROXIMATE SCREEN WEIGHT: 80 LBS		CREATION DATE: 4/14/15		TITLE <b>CIMA BELOW CEILING</b>	
APPROXIMATE SHIPPING WEIGHT: 189 LBS		MODEL #: CIBC153SW-6-2-5			
CASE COLOR: White		SIZE A	SHEET 5 OF 7	PART NO. 00930	REV. A



4 PIN:

PIN	SIGNAL
1	COMMON
2	LV1
3	LV2
4	STI

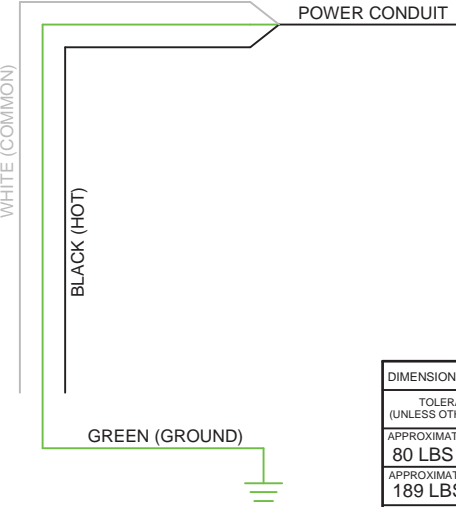
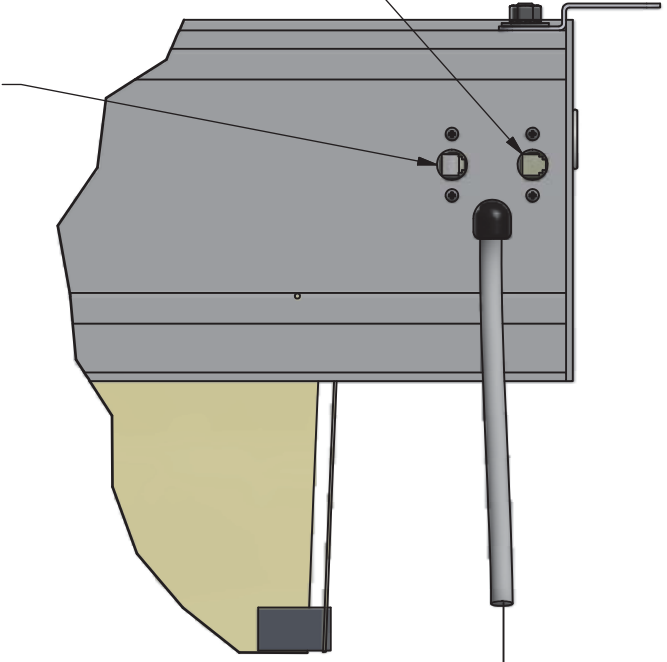


6 PIN:

PIN	SIGNAL
1	NOT USED
2	COMMON
3	LV1
4	LV2
5	STI
6	NOT USED

**ADDITIONAL RJ25 CONNECTION PORT FOR OPTIONAL CONTROLS**

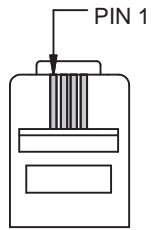
**STI INPUT  
4 PIN OR 6 PIN  
RJ25 CONNECTOR  
SEE CHART**



# 120 VOLT WIRING

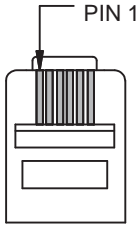
DIMENSIONS ARE Inches [mm]		DRAWN BY: Engineering		<b>Stewart</b> FILMSCREEN 1161 W. Sepulveda Blvd., Torrance, CA 90502 Customer Care (800) 762-4999 Fax (310) 326-6870	
TOLERANCES: +/- 1/8 in (UNLESS OTHERWISE SPECIFIED)		DRAWING TYPE: Typical			
APPROXIMATE SCREEN WEIGHT: 80 LBS		CREATION DATE: 4/14/15		TITLE <b>CIMA BELOW CEILING</b>	
APPROXIMATE SHIPPING WEIGHT: 189 LBS		MODEL #: CIBC153SW-6-2-5		SIZE A	SHEET 6 OF 7
CASE COLOR: White				PART NO. 00930	REV. A

**RESTRICTION:** The information contained in the proposal is confidential and proprietary to Stewart Filmscreen Corporation, shall not be disclosed beyond the vendor company, and shall not be duplicated, used, or disclosed in whole or in part for any purpose except to evaluate this proposal.



4 PIN:

PIN	SIGNAL
1	COMMON
2	LV1
3	LV2
4	STI

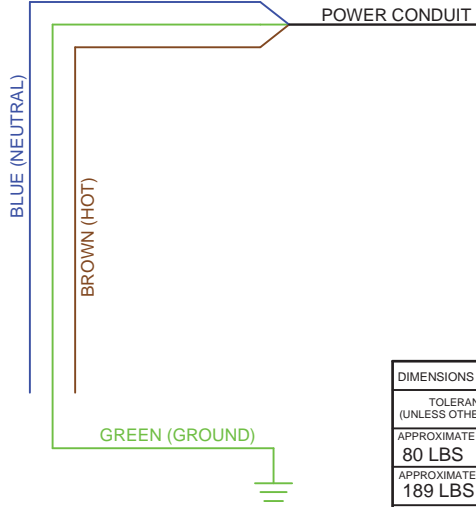
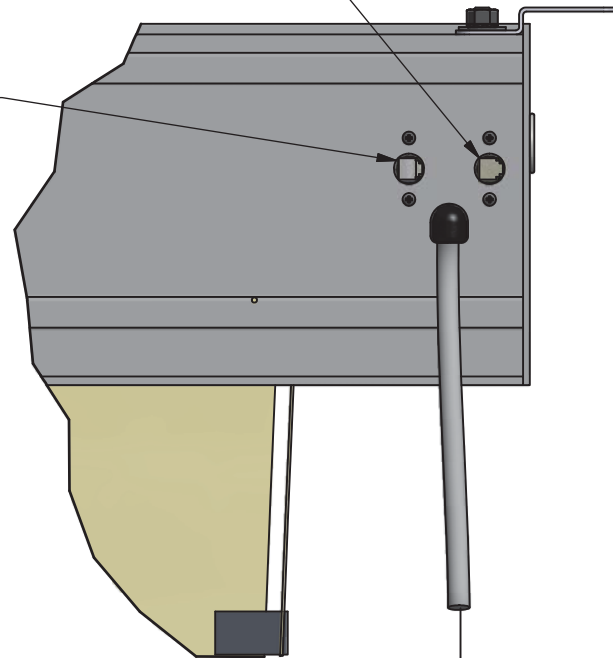


6 PIN:

PIN	SIGNAL
1	NOT USED
2	COMMON
3	LV1
4	LV2
5	STI
6	NOT USED

**ADDITIONAL RJ25 CONNECTION PORT FOR OPTIONAL CONTROLS**

**STI INPUT 4 PIN OR 6 PIN RJ25 CONNECTOR SEE CHART**



# 220 VOLT WIRING

DIMENSIONS ARE Inches [mm]		DRAWN BY: Engineering		<b>Stewart FILMSCREEN</b> 1161 W. Sepulveda Blvd., Torrance, CA 90502 Customer Care (800) 762-4999 Fax (310) 326-6870	
TOLERANCES: +/- 1/8 in (UNLESS OTHERWISE SPECIFIED)		DRAWING TYPE: Typical			
APPROXIMATE SCREEN WEIGHT: 80 LBS		CREATION DATE: 4/14/15		TITLE	
APPROXIMATE SHIPPING WEIGHT: 189 LBS		MODEL #: CIBC153SW-6-2-5		CIMA BELOW CEILING	
CASE COLOR: White		SIZE: A	SHEET: 7 OF 7	PART NO.: 00930	REV.: A

**RESTRICTION:** The information contained in the proposal is confidential and proprietary to Stewart Filmscreen Corporation, shall not be disclosed beyond the vendor company, and shall not be duplicated, used, or disclosed in whole or in part for any purpose except to evaluate this proposal.